

TRAFALGAR



MaxiLite SERVICE

PENETRATIONS

Electrical, Mechanical, Plumbing

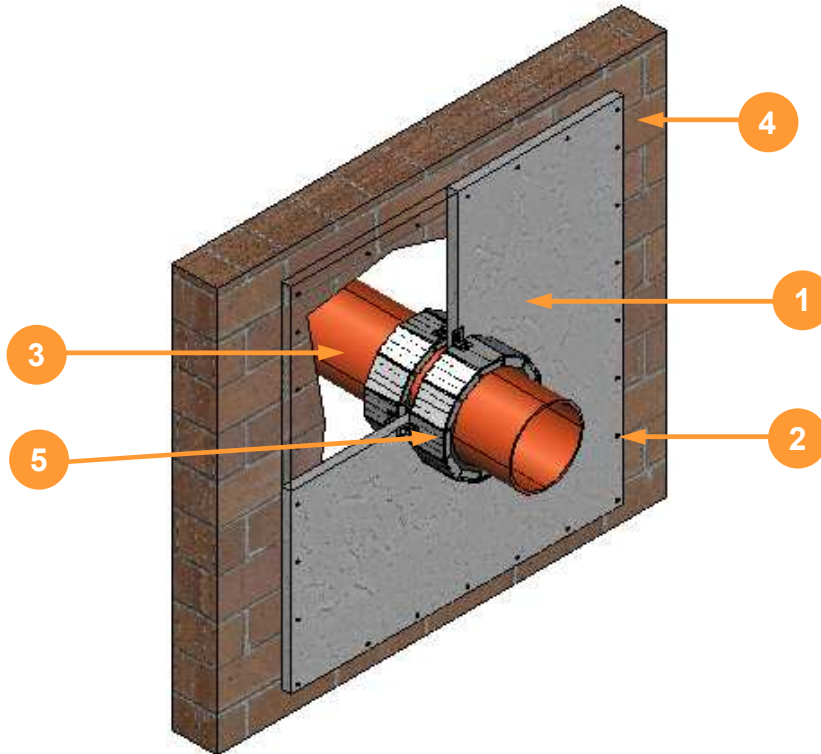
Up to 90 Minutes Fire Protection
(to AS 1530.4-2005
& AS 4072-2005)

Plastic pipe penetrations

30mm thick Maxilite boards, up to 3000mm x Length



FRL
90/90/90
Fire from both
directions



Key:

- 1 Maxilite boards, 30mm thick
- 2 Board fixings, 400mm centres
- 3 Plastic pipe penetration
- 4 Masonry, concrete or plasterboard wall or shaft
- 5 Fire collar—must meet manufacturers specifications & approvals
FRL limited by FRL of fire collar up to 90 minute maximum

Maxilite boards 30mm	30mm thick board for 90 minute fire rating. Boards are fixed to masonry, concrete or plasterboard wall or shaft at max. 400mm centres.
Fire Collar	An approved fire collar must be installed around the perimeter of the plastic pipe penetration.
Fixings	- Board to concrete/masonry: M6 anchor bolts at max. 400mm centres. Allow 10 to 15mm from edges of Maxilite board. - Board to plasterboard: M4 - 100mm self tapping screws at 400mm centres.

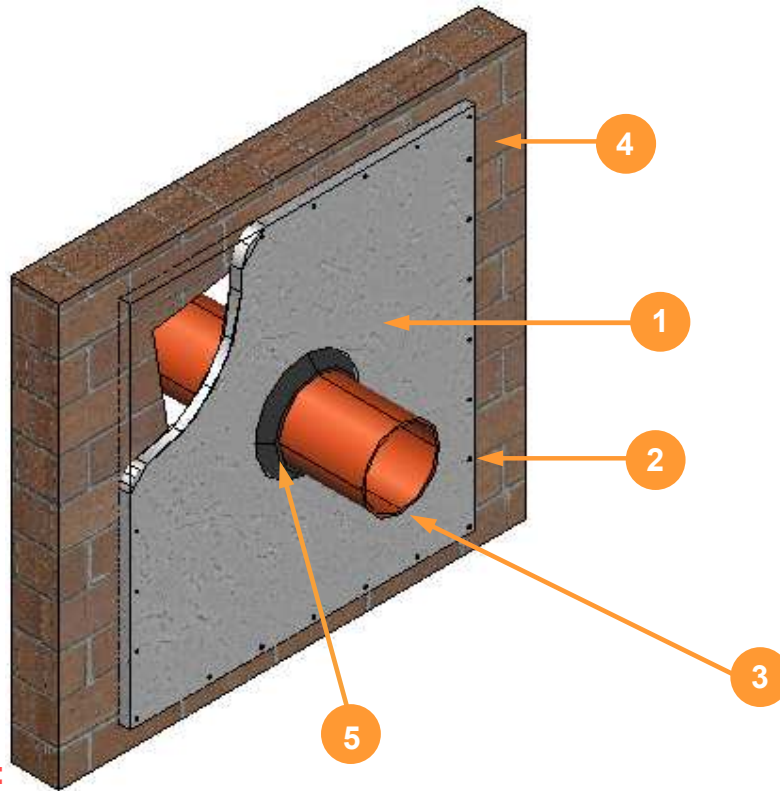
PENETRATIONS — VERTICAL

Metal pipe penetrations

30mm thick Maxilite boards, up to 3000mm x Length



FRL
90/90/90
Fire from both
directions



Key:

- 1 Maxilite boards, 30mm thick
- 2 Board fixings, 400mm centres
- 3 Pipe penetration
- 4 Masonry, concrete or plasterboard wall or shaft
- 5 Fire Rated Sealant

Note: FRL: is limited to fire stopping system FRL.
Refer to manufacturer for specifications and approvals

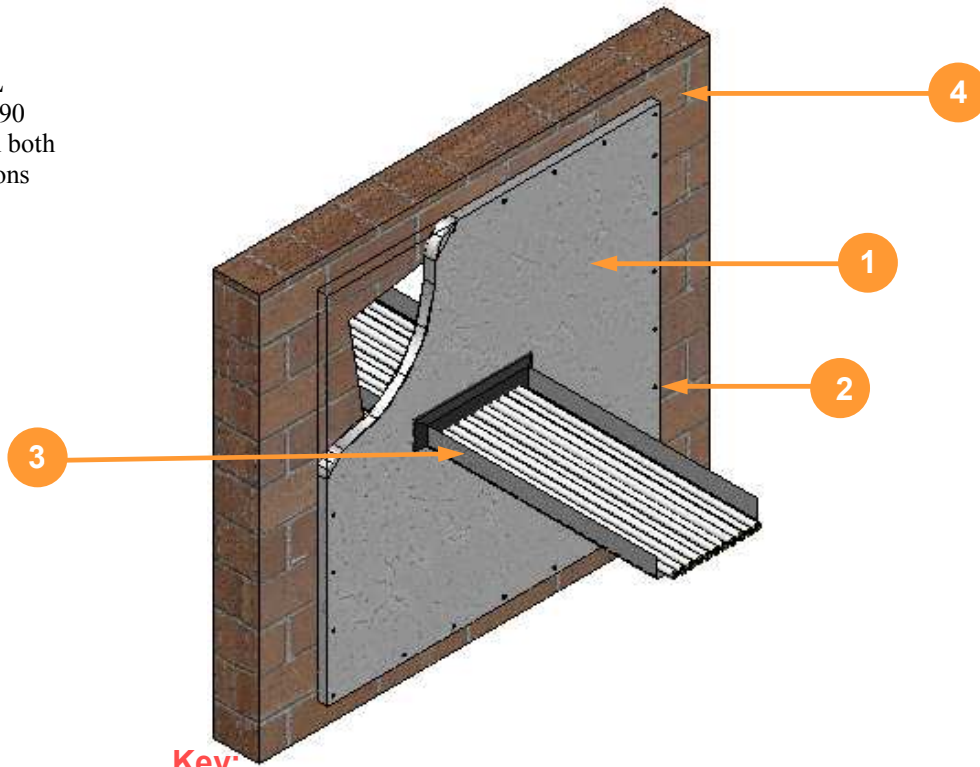
Maxilite boards 30mm	30mm thick board for 90 minute fire rating. Boards are fixed to masonry, concrete or plasterboard wall or shaft at max. 400mm centres.
Pipe penetration	Fire rated sealant must be applied around the edges of the metal pipe penetration.
Fixings	- Board to concrete/masonry: M6 anchor bolts at max. 400mm centres. Allow 10 to 15mm from edges of Maxilite board. - Board to plasterboard: M4 - 100mm self tapping screws at 400mm centres.

PENETRATIONS — VERTICAL

Cable tray or cable penetrations 30mm thick Maxilite board, up to 3000mm x Length



FRL
90/90/90
Fire from both
directions



Key:

- 1 Maxilite boards, 30mm thick
- 2 Board fixings, 400mm centres
- 3 Electrical penetration
- 4 Masonry, concrete or plasterboard wall or shaft

Maxilite boards 30mm	30mm thick board for 90 minute fire rating. Boards are fixed to masonry, concrete or plasterboard wall at max. 400mm centres.
Cable Trays	Approved cable tray installed with manufacturer's instructions. Fire rated sealant must be applied around the edges of the installation.
Electrical cables	Approved cable installed with manufacturer's instructions. Fire rated sealant must be applied around the edges of the installation.
Fixings	- Board to concrete/masonry: M6 anchor bolts at max. 400mm centres. Allow 10 to 15mm from edges of Maxilite board. - Board to plasterboard: M4 - 100mm self tapping screws at 400mm centres.

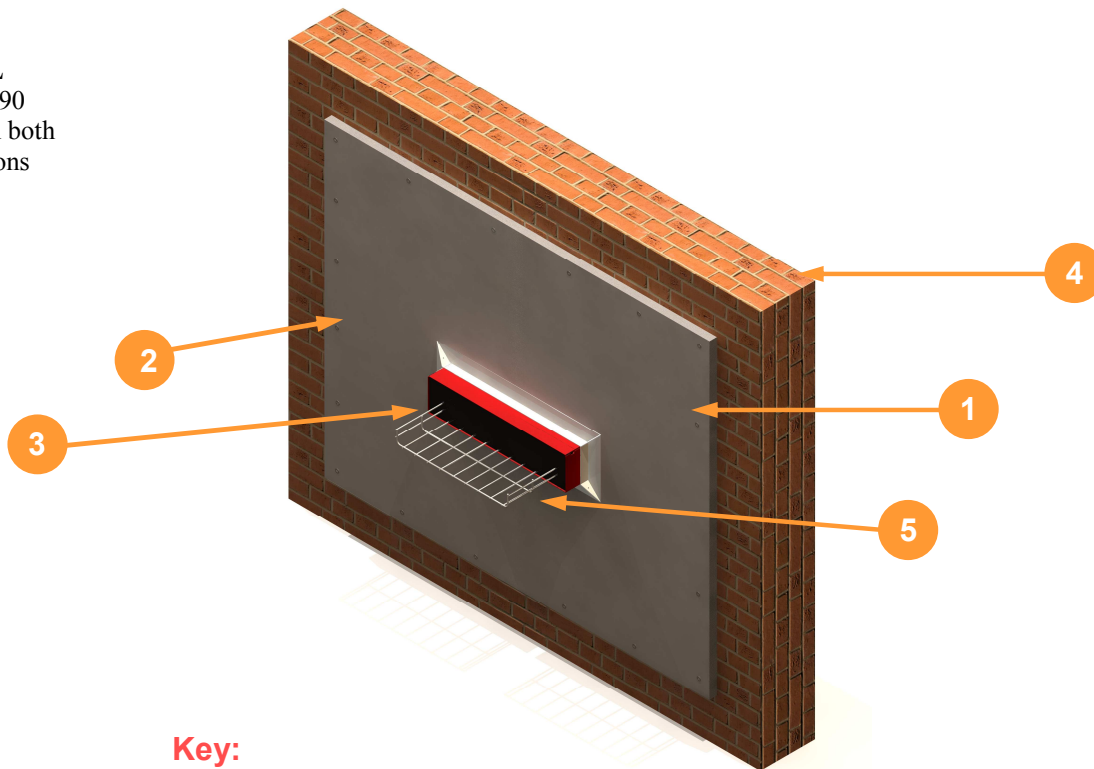
Note: Penetrations can be fire stopped with a tested fire pillow and fire rated sealant system as per manufacturers recommendations

PENETRATIONS — VERTICAL

Fyreclamp multiservice fire stopping devices 30mm thick Maxilite board, up to 3000mm x Length



FRL
90/90/90
Fire from both
directions



Key:

- 1 Maxilite boards, 30mm thick
- 2 Board fixings, 400mm centres
- 3 Fyreclamp multiservice firestopping device(s)
- 4 Masonry, concrete or plasterboard wall
- 5 Approved Service Configurations

Maxilite boards 30mm	30mm thick board for 90 minute fire rating. Boards are fixed to masonry, concrete or plasterboard wall or shaft at max. 400mm centres.
Service penetration	Approved services installed with manufacturer's instructions. Fire rated sealant must be applied around the edges of the installation.
Fixings	- Board to concrete/masonry: M6 anchor bolts at max. 400mm centres. Allow 10 to 15mm from edges of Maxilite board. - Board to plasterboard: M4 - 100mm self tapping screws at 400mm centres.

Note: Any tested Fyreclamp configuration and size can be used in conjunction with maxilite board systems.

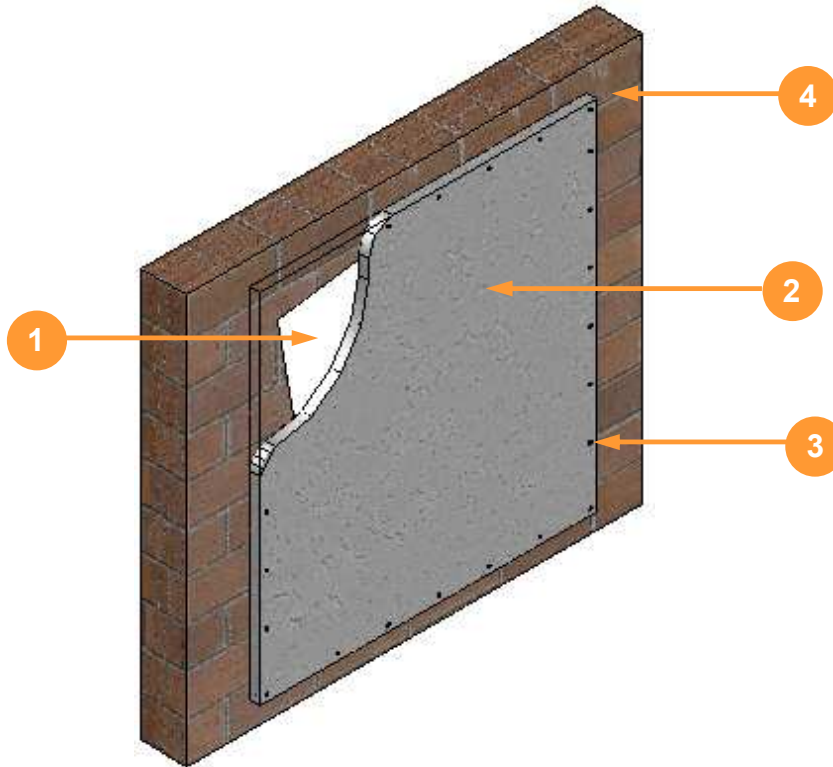
Any tested Fyreclamp service configuration (including electrical, mechanical, and others) can be used in conjunction with maxitile board systems.

PENETRATIONS — VERTICAL

Blank opening
30mm thick Maxilite board, up to 3000mm x Length



FRL
 90/90/90
 Fire from both
 directions



Key:

- 1 Blank opening
- 2 Maxilite boards, 30mm thick
- 3 Board fixings, 400mm centres
- 4 Masonry, concrete or plasterboard wall or shaft

Maxilite boards 30mm	30mm thick board for 90 minute fire rating. Boards are fixed to masonry, concrete or plasterboard wall or shaft at max. 400mm centres.
Fixings	- Board to concrete/masonry: M6 anchor bolts at max. 400mm centres. Allow 10 to 15mm from edges of Maxilite board. - Board to plasterboard: M4 - 100mm self tapping screws at 400mm centres.

Note: If the top of the opening is flush with the slab above or adjacent wall interfaces, fixings to 2 or 3 sides is acceptable if Fire Rated sealant is used.

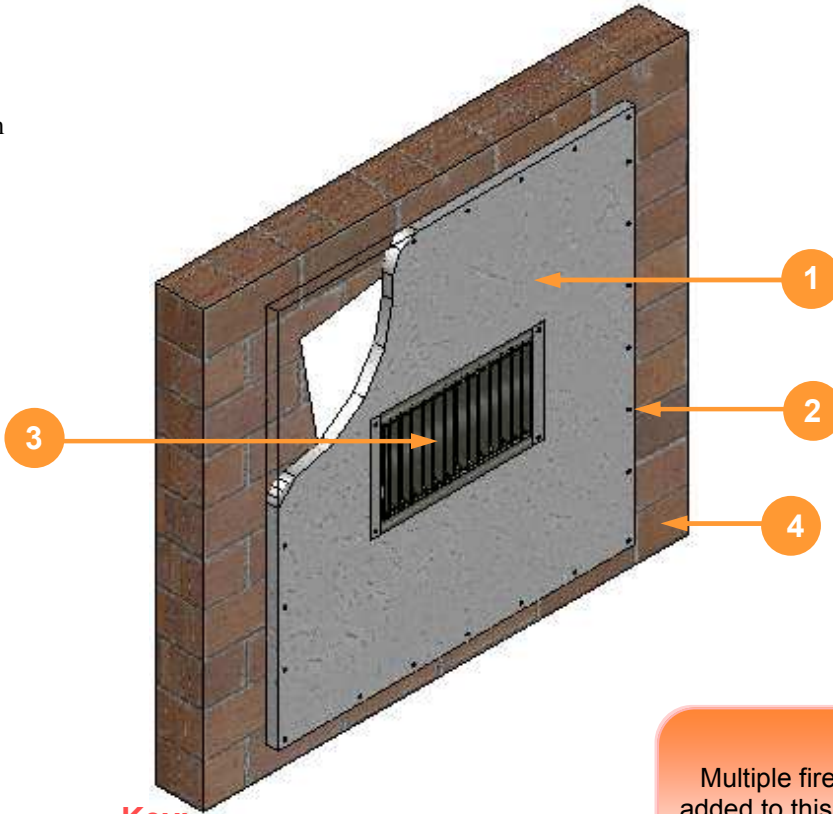
PENETRATIONS — VERTICAL

Damper penetrations

30mm thick Maxilite board, up to 3000mm x Length



FRL
90/90/90
Fire from both
directions



Key:

- 1 Maxilite boards, 30mm thick
- 2 Board fixings, 400mm centres
- 3 Fire damper penetration
- 4 Masonry, concrete or plasterboard wall or shaft

Note: FRL: is limited to fire stopping system FRL.
Refer to manufacturer for specifications and approvals

TIP
Multiple fire dampers can be added to this system provided a minimum of 50mm gap is maintained between each fire damper

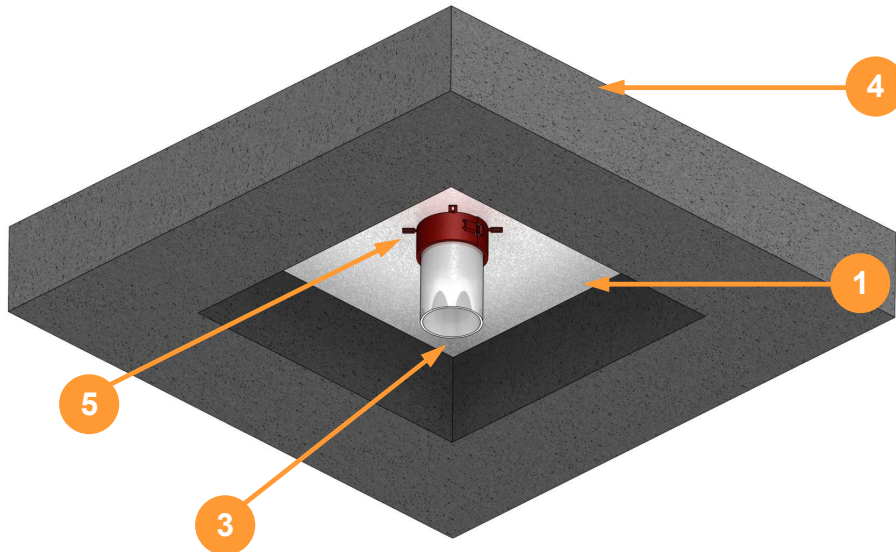
Maxilite boards 30mm	30mm thick board for 90 minute fire rating. Boards are fixed to masonry, concrete or plasterboard wall or shaft at max. 400mm centres.
Fire damper	Approved fire damper installed with manufacturer's instructions. Fire rated sealant must be applied around the edges of the damper installation.
Fixings	- Board to concrete/masonry: M6 anchor bolts at max. 400mm centres. Allow 10 to 15mm from edges of Maxilite board. - Board to plasterboard: M4 - 100mm self tapping screws at 400mm centres.

PENETRATIONS — VERTICAL

Plastic pipe penetrations 30mm thick Maxilite board, up to 3000mm x Length



FRL
90/90/90
Fire from both
directions



Key:

- 1 Maxilite boards, 30mm thick
- 2 Board fixings, 400mm centres
- 3 Plastic pipe penetration
- 4 Concrete slab
- 5 Fire collar—must meet manufacturers specifications & approvals
FRL limited by FRL of fire collar up to 90 minute maximum

Maxilite boards 30mm	30mm thick board for 90 minute fire rating. Boards are fixed to masonry or concrete at max. 400mm centres.
Fire Collar	An approved fire collar must be installed around the perimeter of the plastic pipe penetration.
Fixings	- Board to concrete/masonry: M6 anchor bolts at max. 400mm centres. Allow 10 to 15mm from edges of Maxilite board.

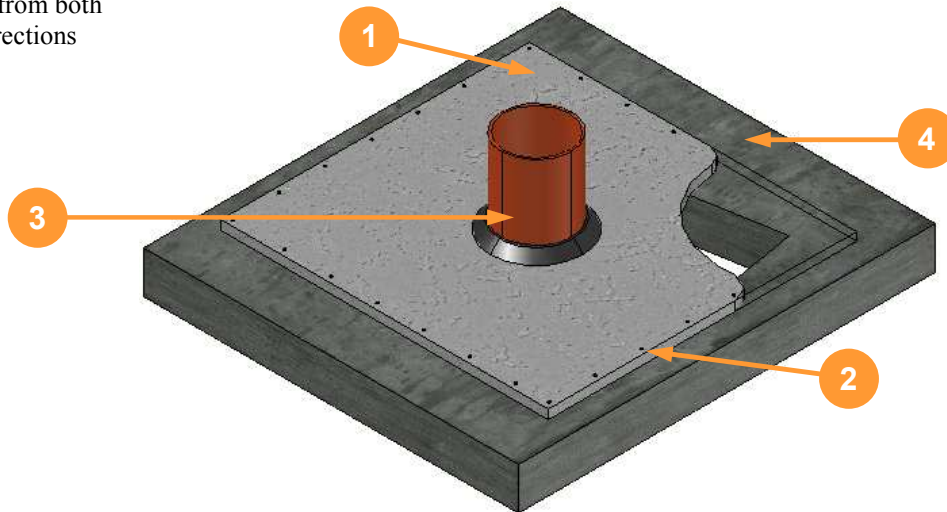
PENETRATIONS — HORIZONTAL

Metal pipe penetrations

30mm thick Maxilite board, up to 3000mm x Length



FRL
90/90/90
Fire from both
directions



Key:

- 1 Maxilite boards, 30mm thick
- 2 Board fixings, 400mm centres
- 3 Pipe penetration
- 4 Concrete slab

Note: FRL: is limited to fire stopping system FRL.
Refer to manufacturer for specifications and approvals.

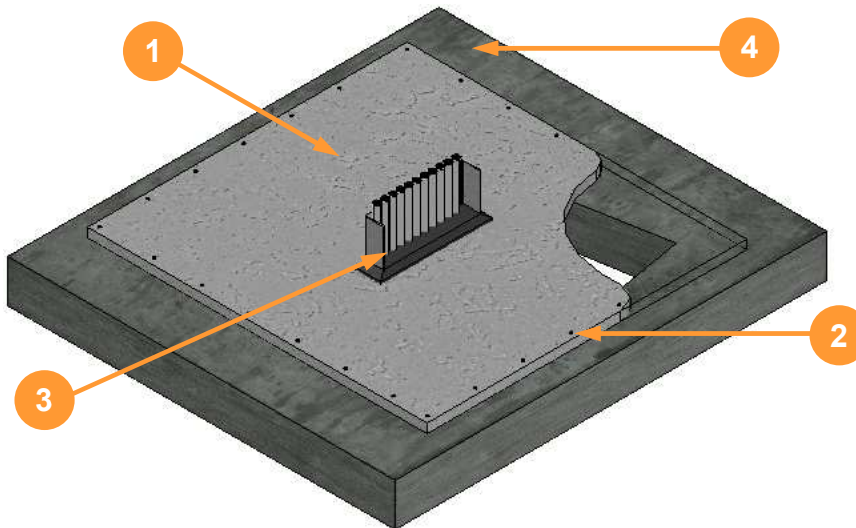
Maxilite boards 30mm	30mm thick board for 90 minute fire rating. Boards are fixed to masonry or concrete at max. 400mm centres.
Pipe penetration	Fire rated sealant must be applied around the edges of the metal pipe penetration.
Fixings	- Board to concrete/masonry: M6 anchor bolts at max. 400mm centres. Allow 10 to 15mm from edges of Maxilite board.

PENETRATIONS — HORIZONTAL

Cable tray or cable penetrations 30mm thick Maxilite board, up to 3000mm x Length



FRL
90/90/90
Fire from both
directions



Key:

- 1 Maxilite boards, 30mm thick
- 2 Board fixings, 400mm centres
- 3 Electrical penetration
- 4 Concrete slab

Note: FRL: is limited to fire stopping system FRL.
Refer to manufacturer for specifications and approvals.

Maxilite boards 30mm	30mm thick board for 90 minute fire rating. Boards are fixed to masonry or concrete at max. 400mm centres.
Cable Trays	Approved cable tray installed with manufacturer's instructions. Fire rated sealant must be applied around the edges of the installation.
Electrical cables	Approved cable installed with manufacturer's instructions. Fire rated sealant must be applied around the edges of the installation.
Fixings	- Board to concrete/masonry: M6 anchor bolts at max. 400mm centres. Allow 10 to 15mm from edges of Maxilite board.

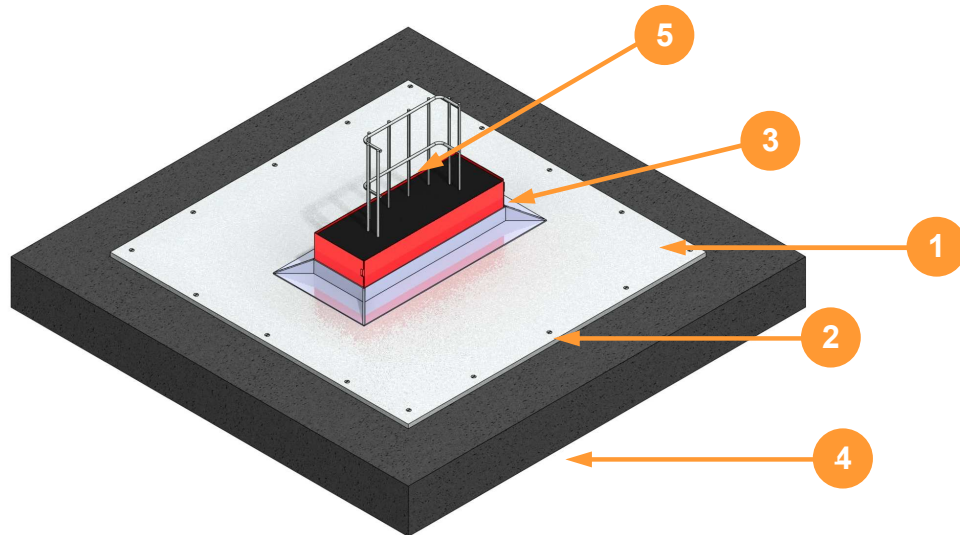
Note: Penetrations can be fire stopped with a tested fire pillow and fire rated sealant system as per manufacturers recommendations

PENETRATIONS — HORIZONTAL

Fyreclamp multiservice fire stopping devices 30mm thick Maxilite board, up to 3000mm x Length



FRL
90/90/90
Fire from both
directions



Key:

- 1 Maxilite boards, 30mm thick
- 2 Board fixings, 400mm centres
- 3 Fyreclamp multiservice firestopping device(s)
- 4 Masonry Slab
- 5 Approved Service Configurations

Maxilite boards 30mm	30mm thick board for 90 minute fire rating. Boards are fixed to masonry or concrete at max. 400mm centres.
Service penetration	Approved services installed with manufacturer's instructions. Fire rated sealant must be applied around the edges of the installation.
Fixings	- Board to concrete/masonry: M6 anchor bolts at max. 400mm centres. Allow 10 to 15mm from edges of Maxilite board.

Note: Any tested Fyreclamp configuration and size can be used in conjunction with maxilite board systems.
Any tested Fyreclamp service configuration (including electrical, mechanical, and others) can be used in conjunction with maxitile board systems.

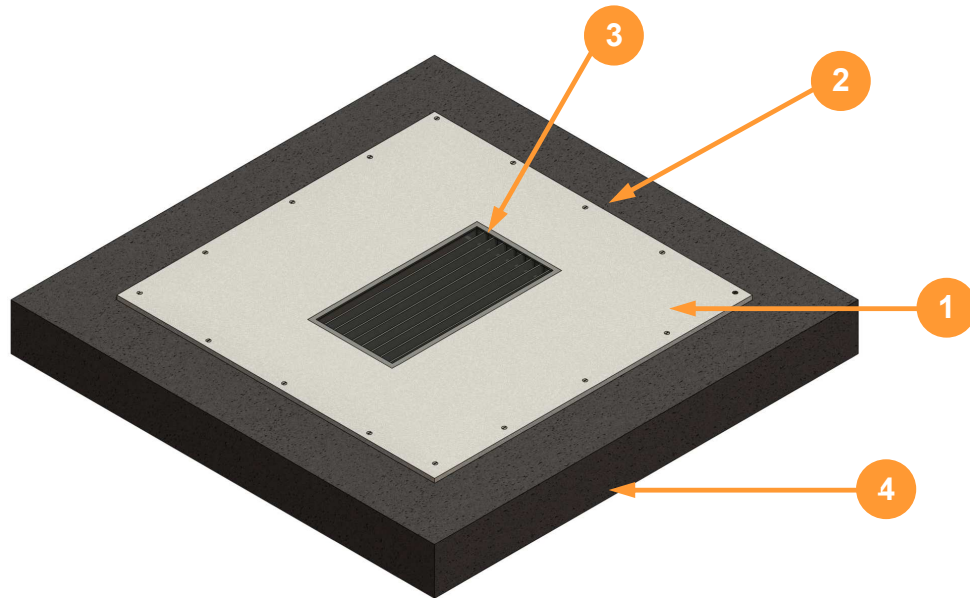
PENETRATIONS — HORIZONTAL

Fire Damper Penetrations

30mm thick Maxilite board, up to 3000mm x Length



FRL
90/90/90
Fire from both
directions



Key:

- 1 Maxilite boards, 30mm thick
- 2 Board fixings, 400mm centres
- 3 Fire damper penetration
- 4 Masonry or concrete slab

Note: FRL: is limited to fire stopping system FRL.
Refer to manufacturer for specifications and approvals

TIP
Multiple fire dampers can be added to this system provided a minimum of 50mm gap is maintained between each fire damper

Maxilite boards 30mm	30mm thick board for 90 minute fire rating. Boards are fixed to masonry or concrete at max. 400mm centres.
Fire damper	Approved fire damper installed with manufacturer's instructions. Fire rated sealant must be applied around the edges of the damper installation.
Fixings	- Board to concrete/masonry: M6 anchor bolts at max. 400mm centres. Allow 10 to 15mm from edges of Maxilite board.

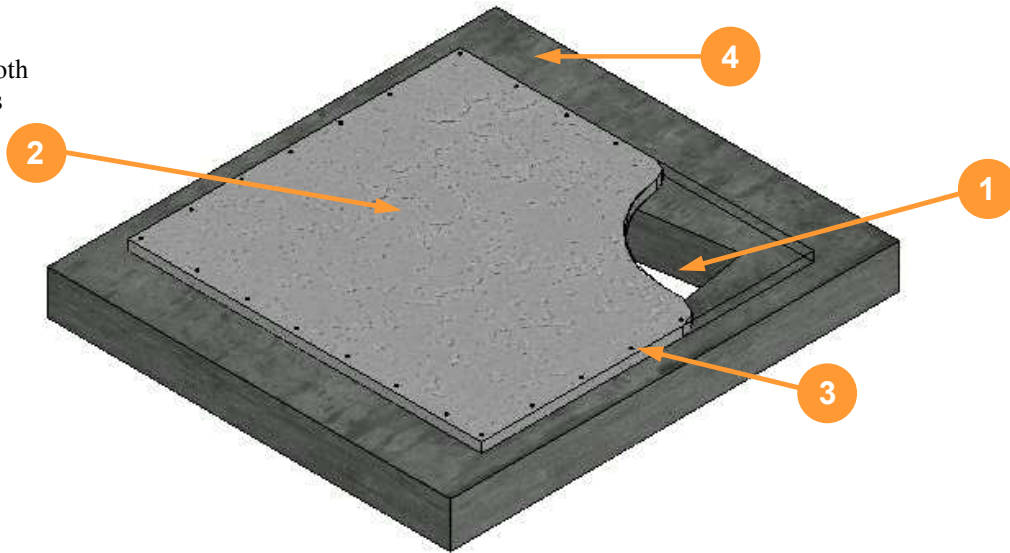
PENETRATIONS — HORIZONTAL

Blank penetrations

30mm thick Maxilite board, up to 3000mm x Length



FRL
90/90/90
Fire from both
directions



Key:

- 1 Blank opening
- 2 Maxilite boards, 30mm thick
- 3 Board fixings, 400mm centres
- 4 Concrete slab

Maxilite boards 30mm	30mm thick board for 90 minute fire rating. Boards are fixed to masonry or concrete at max. 400mm centres.
Fixings	- Board to concrete/masonry: M6 anchor bolts at max. 400mm centres. Allow 10 to 15mm from edges of Maxilite board.

Note: If the opening is flush with the adjacent wall interfaces, fixings to 2 or 3 sides is acceptable if Fire Rated sealant is used.

PENETRATIONS — HORIZONTAL