

FIRE COLLARS

Pyrorap Fire Collar

TECH SHEET: PAS-04

Issue: 11-09-12

Intumescent wrap suitable for sealing most types of plastic pipes passing through concrete slabs and walls

Page 1 of 2

DESCRIPTION

A flexible intumescent wrap contained in a plastic bag which is designed to intumesce under fire conditions and crush the plastic pipe thus sealing against the passage of flame and hot gases for up to 4 hours. It is designed for core hole or block out applications

APPLICATIONS

Especially designed for core hole, block out and retrofit applications, it is a cost effective and labour saving alternative especially suitable for use in fire rating plastic pipes passing through floors in high residential construction, flats, townhouses, apartments, civil projects, health care and aged care facilities, offices, etc.

FEATURES

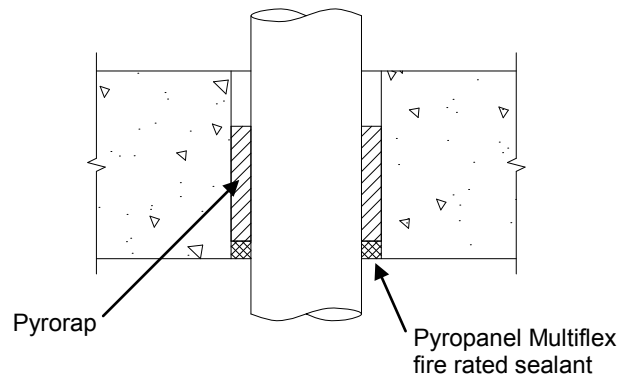
- Fully certified to Australian Standards AS1530.4 and AS4072.1
- 8 wrap sizes service pipe sizes from 20-100mm (nom)
- Pyroraps are recessed into wall or slab ensuring maximum clearance for pipe fittings
- Quick and easy to install - no adjustment necessary
- A cost effective fire stopping solution
- Approved for installation within underside of masonry slabs, or within masonry and Hebel walls
- 10 year warranty on intumescent material
- Australian made

MODELS AVAILABLE

Model	To suit nominal pipe (mm)	Actual PVC pipe O.D (mm)	Core hole size (nom)	Collar height	Floor application	Wall Application
CLPY20	20	26.6	35	70	uPVC: -/240/240	uPVC, PP, HDPE, PE: -/120/120
CLPY25	25	33.4	45	70	uPVC: -/240/240	uPVC, PP, HDPE, PE: -/120/120
CLPY32	32	42.1	52	70	uPVC, PP, PE, HDPE, ABS, PB: -/240/240	uPVC, PP, HDPE, PE: -/120/120
CLPY40	40	43.1	67	70	uPVC, PP, PE, HDPE: -/240/240	uPVC, PP, HDPE, PE: -/120/120
CLPY50	50	56	75	70	uPVC, PP, PE, HDPE: -/240/240	uPVC, PP, HDPE, PE: -/120/120
CLPY65	65	69.1	92	70	uPVC, PP, PE, HDPE: -/240/240	uPVC, PP, HDPE, PE: -/120/120
CLPY80	80	82.7	102	70	uPVC, PP, PE, HDPE: -/240/240	uPVC, PP, HDPE, PE: -/120/120
CLPY100	100	110.4	132	70	uPVC, PP, PE, HDPE: -/240/240	uPVC, PP, HDPE, PE: -/120/120

INSTRUCTIONS

- Wrap Pyrorap around pipe and tape together with duct tape if desired
- Push Pyrorap into gap between slab or wall and pipe, ensuring that it is located a maximum of 10mm from face of slab or wall (see overleaf for more details on wall applications)
- Seal any gap between wrap and underside of slab or wall with a small amount of Pyropanel Multiflex fire rated acrylic sealant to create a smoke seal (not required for fire rating, but recommended as it helps keep Pyrorap in place)



HOW TO SPECIFY

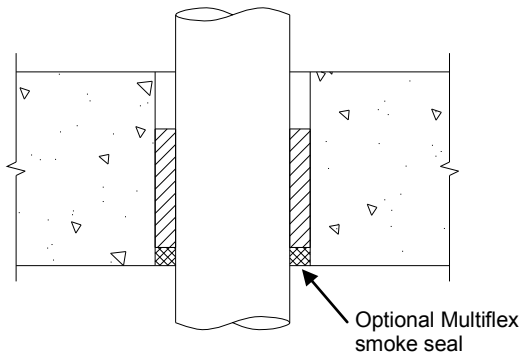
Eg, "Fire Collars to be Pyropanel "Pyrorap" fire collars , installed as per manufacturers instructions"



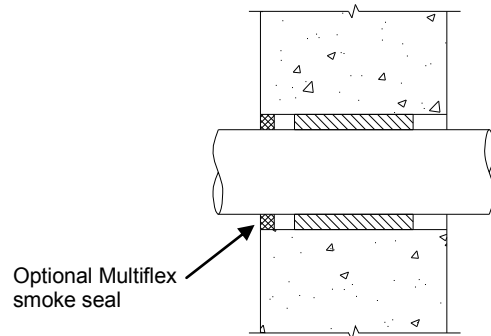
Pyropanel Developments Pty Ltd
Unit 1, 97 Lewis Rd, Wantirna South, Vic 3152
Ph: (03) 9837 8500 Fax: (03) 9837 8550
Email: sales@pyropanel.com.au
Web: www.pyropanel.com.au

Distributed by:

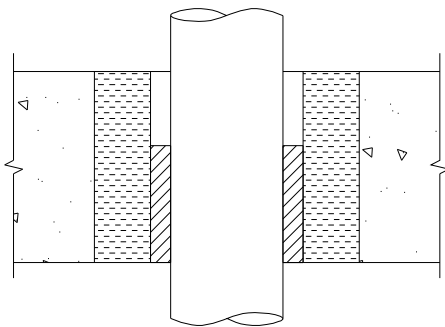
BUILDING IN DETAILS



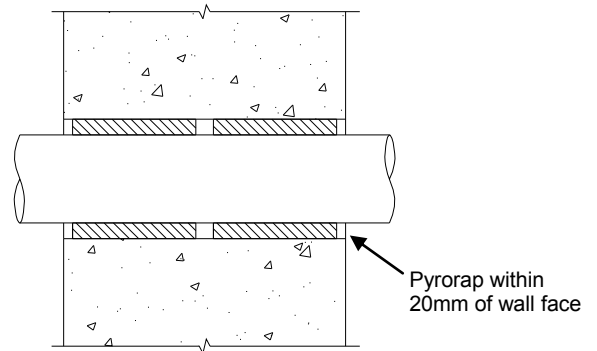
Example of typical floor installation including optional (recommended) Pyropanel Multiflex smoke seal



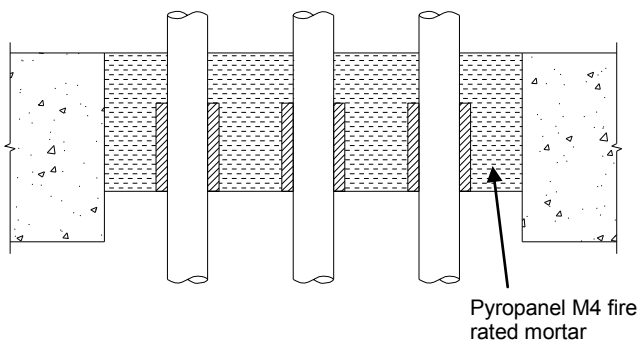
Typical wall application. For wall thicknesses from 70mm to 110mm, a single Pyrorap can be used, with optional smoke sealing with Pyropanel Multiflex fire rated acrylic sealant.



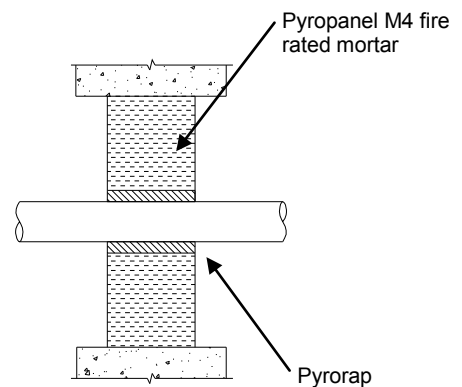
Example of floor installation through oversized core hole with Pyropanel M4 fire rated mortar in-fill panel.



For wall thicknesses greater than 110mm, two Pyroraps must be used on each side of the wall and placed within 20mm from each face (recommended is 10mm).



Example of floor installation through Pyropanel M4 fire rated mortar in-fill panel.



Example of wall installation through Pyropanel M4 fire rated mortar in-fill panel.