

FIRE COLLARS

Retrofit Fire Collar (Single-fit)

TECH SHEET: PAS-03

Issue: 30-09-2014

Expiry: 31-12-2015

Retrofit fire collar suitable for sealing most types of plastic pipes passing through walls and floors.

Page 1 of 3

DESCRIPTION

A bolt-on, steel-cased retro-fit fire collar housing an intumescent material which is activated in the event of fire, crushing the plastic pipe and sealing against the passage of flame and hot gases. The intumescent material is unaffected by water, atmospheric influences and industrial environments, and is also resistant to dilute acids, alkalis, paints and conventional construction materials such as gypsum, lime, cement and adhesives.

APPLICATIONS

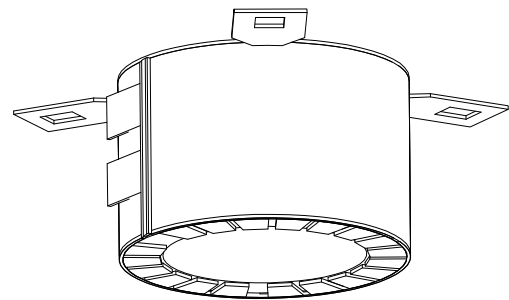
Suitable for use in fire rating plastic pipes passing through floors in high residential construction, flats, townhouses, apartments, civil projects, health care and aged care facilities, offices, etc.

FEATURES

- Fully certified to Australian Standards AS1530.4 and AS4072.1
- 7 collar sizes service pipe sizes from 32 to 150mm (nom)
- Low height of collar ensures maximum clearance for pipe fittings
- Quick and easy to install - no adjustment necessary
- A cost effective fire stopping solution
- Multi fit collars also available (see Tech Sheet PAS-02).
- Approved for installation on underside of masonry slabs, or attached to either side of masonry walls or plasterboard walls. And some sizes are approved for floor wastes.
- RF50 & RF80 also approved for floor wastes.
- 10 year warranty on intumescent material.

INSTRUCTIONS

- Clip collar around pipe
- Attach collar to underside of slab or to either side of wall using steel fixings (Dynabolts, steel knock-ins for masonry elements and screws with washers for plasterboard walls).
- Seal any gap between collar and underside of slab or wall with Pyropanel Multiflex fire rated acrylic sealant (do not seal between pipe and inside of collar).



HOW TO SPECIFY

Eg, "Fire Collars to be Pyropanel 'RF' Retro-fit (single-fit) fire collars, installed as per manufacturers instructions"

MODELS AVAILABLE

Model	To suit nominal pipe (mm)	Actual PVC pipe O.D (mm)	Collar opening	Collar height	Collar width	Floor application	Masonry Wall Application	Dry wall Application
RF40	40	43.1	45	50	68	uPVC: -/240/240 PP, PE, HDPE, ABS: -/180/180	uPVC: -/120/60 PP, PD, HDPE, ABS: -/120/60	uPVC: -/120/120
RF50	50	56	58	50	85	uPVC: -/180/180 (-/180/120 floor waste) PP, PD, HDPE, ABS: -/240/240	uPVC: -/120/60 PP, PD, HDPE, ABS: -/120/60	uPVC: -/120/120
RF65	65	69.1	70	50	100	uPVC: -/180/180 PP, PD, HDPE, ABS: -/240/240	uPVC: -/120/60 PP, PD, HDPE, ABS: -/120/60	uPVC: -/120/120
RF80	80	82.7	85	55	115	uPVC: -/180/180 (-/180/120 floor waste) PP, PD, HDPE, ABS: -/240/240	uPVC: -/120/60 PP, PD, HDPE, ABS: -/120/60	uPVC: -/120/120
RF100	100	110.4	112	60	150	uPVC: -/180/180 (-/120/- floor waste) PP, PD, HDPE, ABS: -/240/240	uPVC: -/120/60 PP, PD, HDPE, ABS: -/120/60	uPVC: -/120/120
RF125	125	129	130	53	180	PP: -/120/120	Not suitable	Not suitable
RF150	150	160	165	60	205	uPVC: -/240/240 PP, PE, HDPE, ABS: -/120/120	uPVC: -/120/60	Not suitable



Pyropanel Developments Pty Ltd
Unit 1, 97 Lewis Rd, Wantima South, Vic 3152
Ph: (03) 9837 8500 Fax: (03) 9837 8550
Email: sales@pyropanel.com.au
Web: www.pyropanel.com.au

Distributed by:

RF225 & RF300 Collars



INSTRUCTIONS

- Clip collar around pipe
- 6 fixing tabs on the collar. Attach collar to underside of slab or to either side of wall using steel fixings (Dynabolts, steel, knock-ins).
- Seal any gap between collar and underside of slab or wall with Pyropanel Multiflex fire rated acrylic sealant (no not seal between pipe and inside of collar).

HOW TO SPECIFY

Eg, "Fire Collars to be Pyropanel 'RF' Retro-fit (Single-fit) fire collars, installed as per manufacturers instructions"

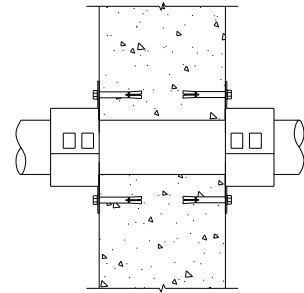
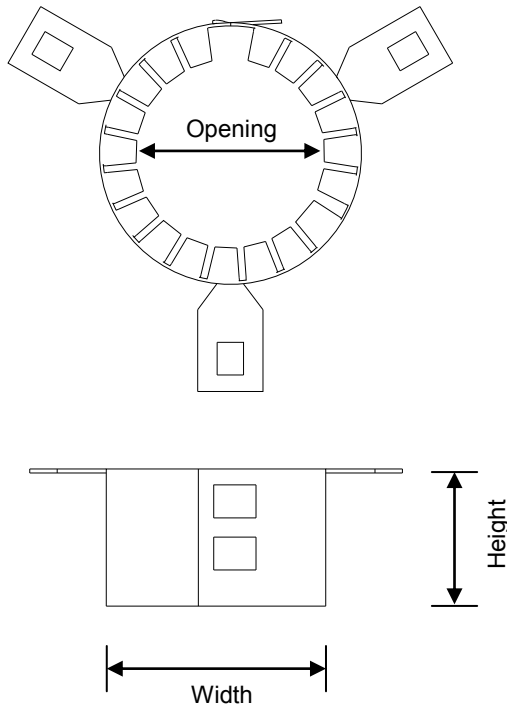
FEATURES

- Fully certified to Australian Standards AS1530.4
- 2 collar sizes, service pipe sizes 225 and 300mm (nom)
- Low height of collar ensures maximum clearance for pipe fittings
- Quick and easy to install - no adjustment necessary
- A cost effective fire stopping solution
- Approved for installation on underside of masonry slabs, or attached to either side of masonry walls, and approvals as shown in table below.
- 10 year warranty on intumescent material

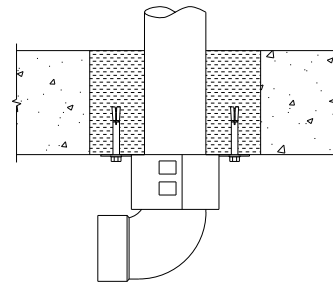
MODELS AVAILABLE

Model	To suit nominal pipe (mm)	Actual PVC pipe O.D (mm)	Collar opening	Collar height	Collar width	Pipe Wall Thickness	Floor application	Masonry Wall Wall Application	Plasterboard wall >100mm thick
RF225	225	250	255	65	305	7.2mm	uPVC: -/120/120	uPVC: -/120/120	uPVC: -/120/120
RF300	300	315	320	70	380	uPVC: 7.7mm PP: 15mm	uPVC: -/90/90 PP: -/120/120	uPVC: -/180/180 PP: -/180/180	Not suitable

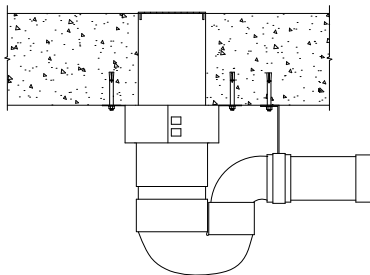
BUILDING IN DETAILS



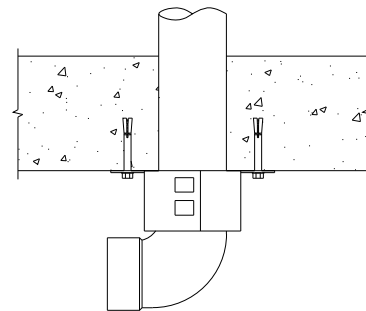
Typical wall application showing two retrofit collars fitted to fitted to both sides of a masonry wall.



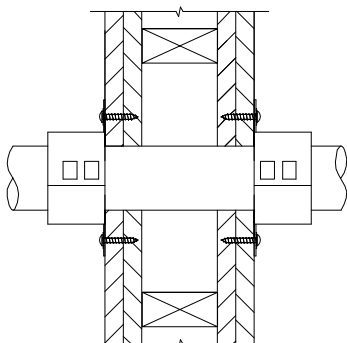
Typical floor application showing a retrofit collar fitted to underside of slab. Note backfilling of oversized hole if required.



Typical floor waste application showing surface mounted installation under slab (-/180/120)



Typical floor application showing a retrofit collar fitted to underside of slab, with pipe and elbow.



Typical wall application showing two retrofit collars fitted to fitted to both sides of the plasterboard wall.

Alternative cast-in installation - Contact Pyropanel for confirmation of fire rating.